

Respected Farming Professionals,

Page | 1

We are delighted to present to you, ready to install, solar powered water pumping kits for up to 30 Horsepower, which can be, easily installed by a team of two persons, on site. We can offer fully customized systems upto 1MW for solar water pumping.

Solar Water Pumping Dealer Prices			
Motor HorsePower	Max Solar Watts	Euro € / Watt	Prices €
2 HP	2200	0.83 €	1,815.00 €
3 HP	3300	0.83 €	2,722.50 €
5 HP	5500	0.83 €	4,537.50 €
7.5 HP	8000	0.80 €	6,400.00 €
10 HP	11000	0.78 €	8,525.00 €
12.5HP	13000	0.75 €	9,750.00 €
15 HP	16400	0.73 €	11,890.00 €
20HP	22000	0.70 €	15,400.00 €
30 HP	32600	0.68 €	22,005.00 €
50 HP	54000	0.68 €	36,450.00 €
60 HP	66000	0.65 €	42,900.00 €
75 HP	83000	0.63 €	51,875.00 €
100 HP	110000	0.63 €	68,750.00 €
125 HP	144000	0.63 €	90,000.00 €

Prices for Minimum Order Value: 20,000 Euro.

Fully customized options are available for higher capacity.

Prices are Ex, Rajkot, Gujarat, India.

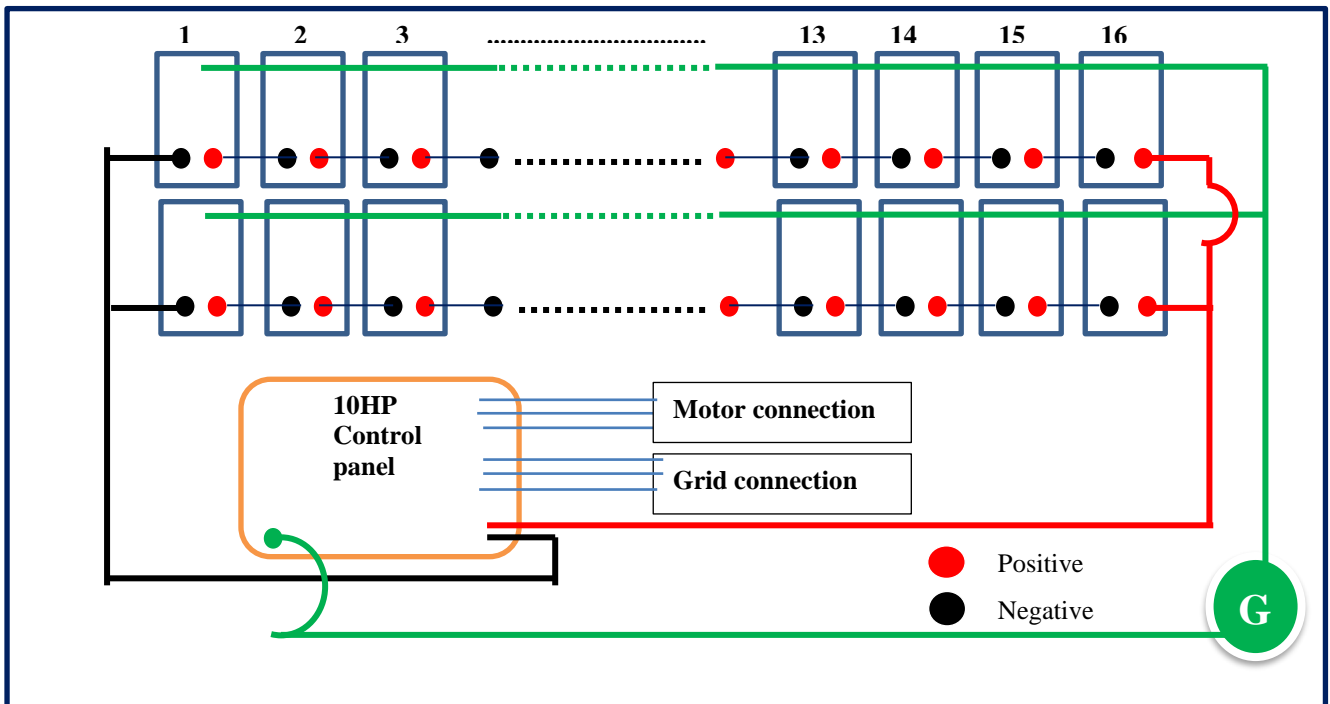
Our Esteemed Clients include Government of Ghana, Airport Authority of India, IL & FS Infra and Faroe Island Energy Department, to name a few.

PERFORMANCE

Performance Charts at different Heads is given at <http://batienergy.in>

Wiring Diagram for 10HP

Solar Panels Wiring with Controller: 325 watt x 16 panels in one string. 2 strings Parallel.



Thank You For The Opportunity To Serve!

For any questions or comments on this document, please mail: power@batienergy.in